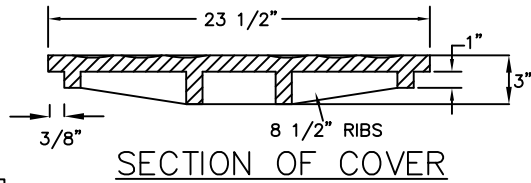
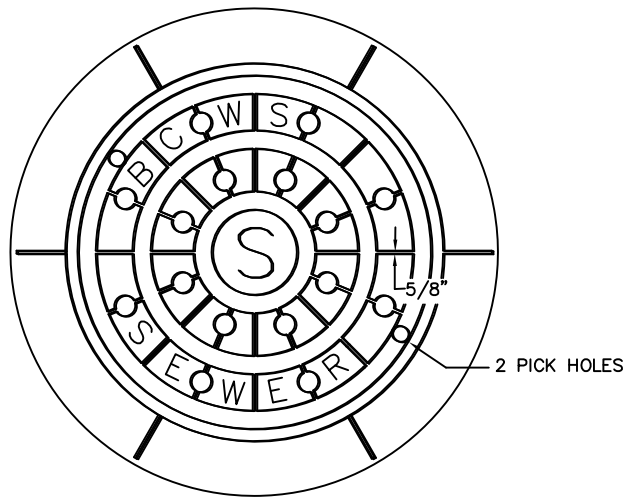
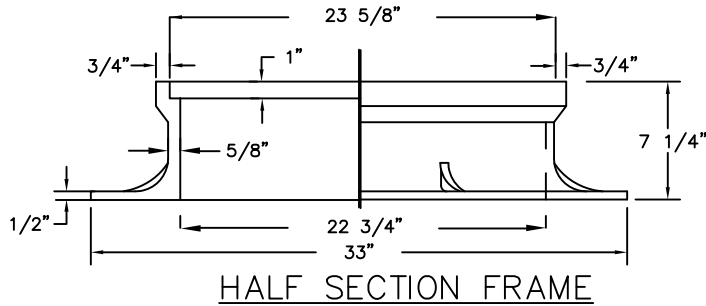


UNITS ARE IN INCHES



NOTE: MACHINED BEARING SURFACES BETWEEN COVER & FRAME.



NOTE:
1. USE WATERTIGHT FRAMES AND COVERS WHERE MANHOLES ARE LOCATED IN PAVEMENT OR SIDEWALK, AREAS AFFECTED BY STREET RUNOFF OR BELOW THE 50 YEAR FLOOD ELEVATION.
2. SEE APPENDIX F29 BCWS APPROVED PARTS LIST FOR APPROVED FRAMES AND COVERS.

PLAN VIEW

TYPICAL MANHOLE FRAME AND COVER

NOT TO SCALE

SEWER PANEL 2H

**BERKELEY COUNTY WATER AND SANITATION
POTABLE WATER & SANITARY SEWER STANDARDS**

REVISED 08/11/09