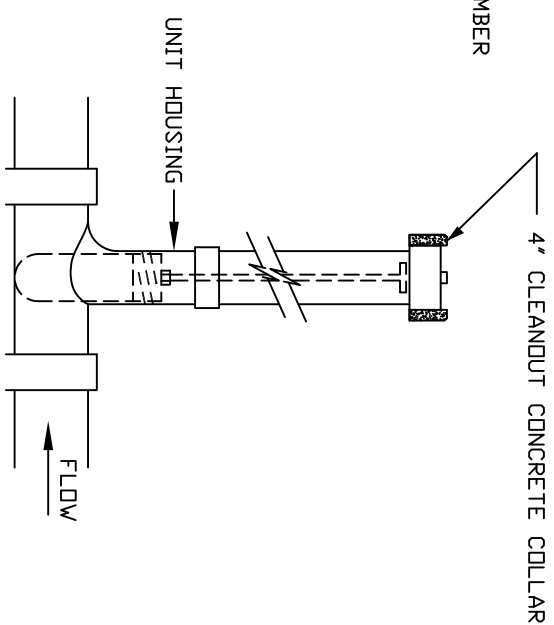
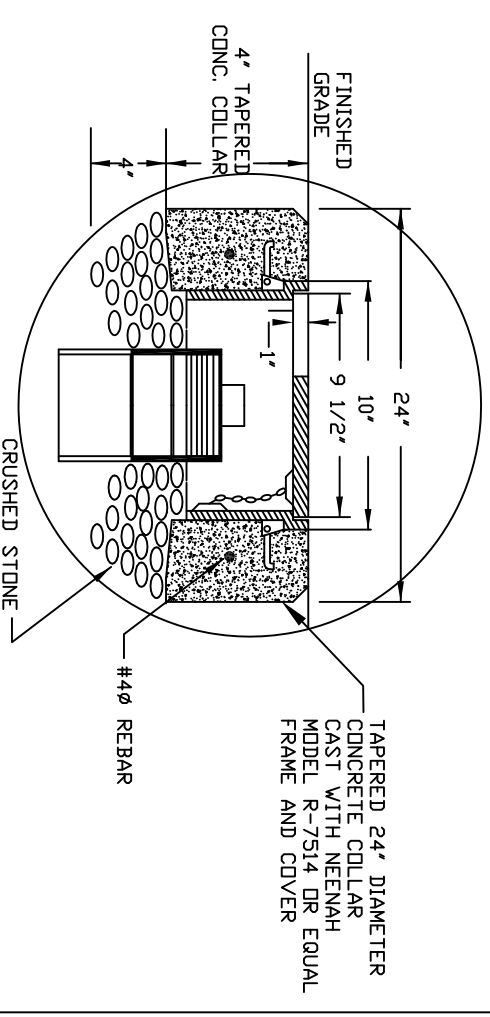


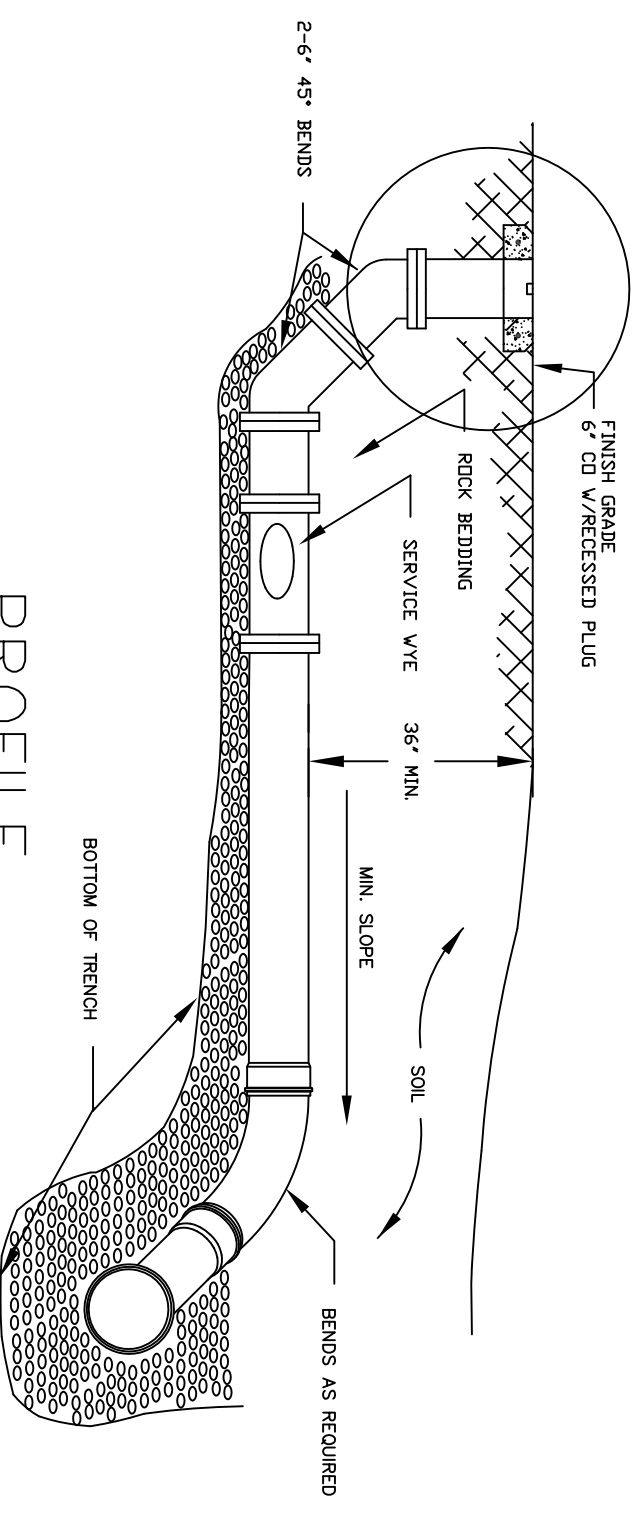
PLAN
 NOT TO SCALE



ELDER VALVE



CLEANOUT



PROFILE
 NOT TO SCALE

(USE ONLY FOR SEWER SERVICE THAT BCWS
 DOES NOT PROVIDE THE WATER SERVICE)

**SANITARY SEWER
 SERVICE CONNECTION
 WITH ELDER VALVE
 SEWER PANEL 1B**