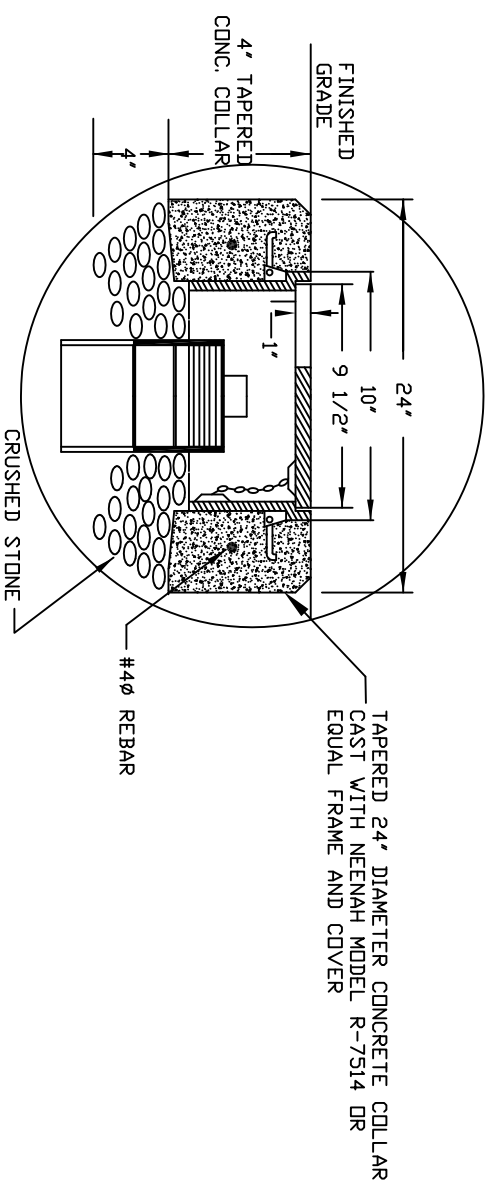
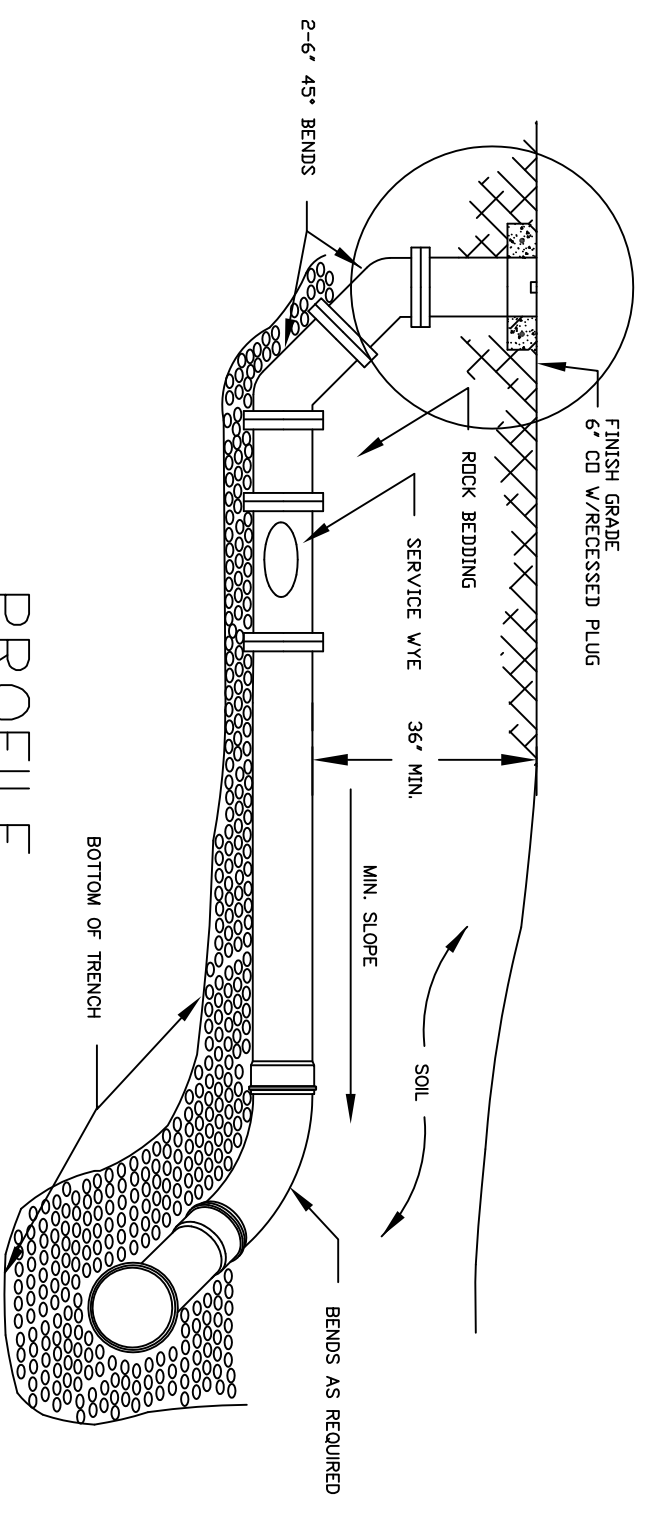


PLAN



TAPERED 24" DIAMETER CONCRETE COLLAR  
CAST WITH NEENAH MODEL R-7514 OR  
EQUAL FRAME AND COVER



PROFILE

SERVICE CONNECTION DETAIL

NOT TO SCALE

**SANITARY SEWER  
SERVICE CONNECTION  
SEWER PANEL 1A**

BERKELEY COUNTY WATER AND SANITATION  
POTABLE WATER & SANITARY SEWER STANDARDS

REVISED 02/05/09