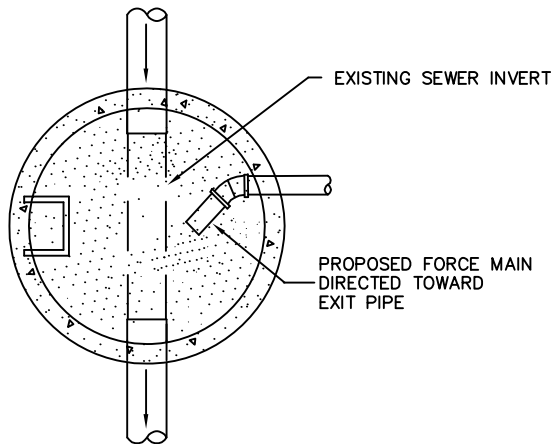


NOTE: MANHOLE SHALL BE COATED WITH RAVEN EPOXY 405 PROTECTIVE LINER.



*NEW FORCE MAIN TO  
EXISTING MANHOLE CONNECTION*  
NOT TO SCALE

SEWER PANEL 2C