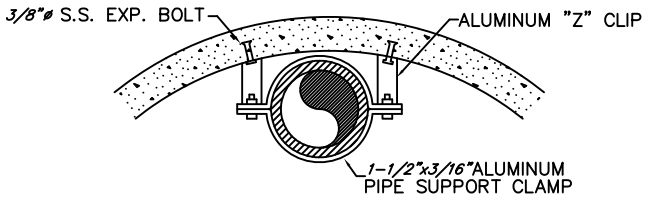
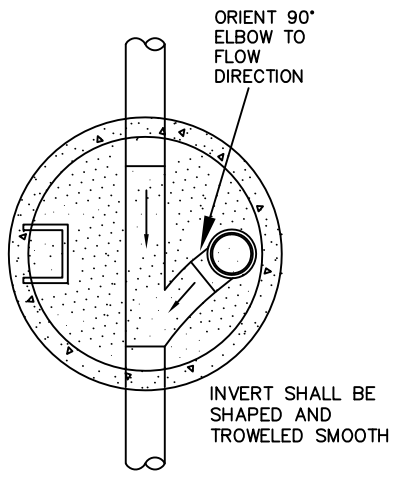
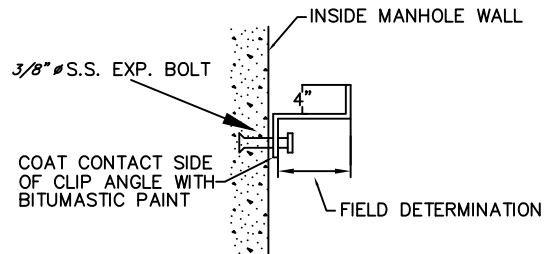


NOTE:
 ALL OPENINGS SHALL BE CORED.
 INSTALL TEE AS FAR AS
 POSSIBLE INTO MANHOLE WALL
 BEFORE SEALING WITH LINK SEAL.



INSIDE DROP MANHOLE

(TO BE USED FOR DROPS OVER 18")
 NOT TO SCALE

SEWER PANEL 2F