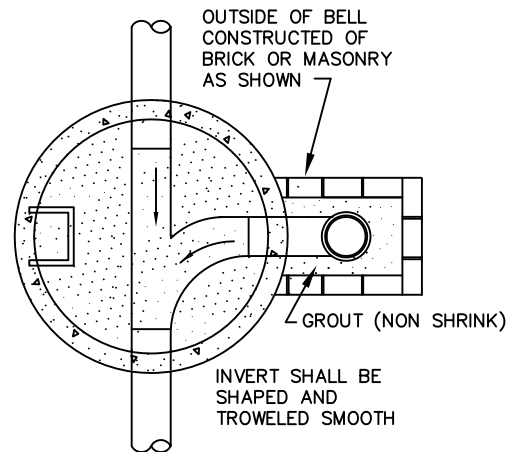


NOTES:

1. MANHOLES SHALL MEET OR EXCEED ASTM-C478
2. MINIMUM WALL THICKNESS SHALL BE 5"
3. ALL MANHOLE SECTIONS SHALL HAVE LIFTING HOLES PROVIDED
4. MANHOLE SECTION SHALL BE TONGUE AND GROOVED
5. STEPS SHALL BE CAST IN PLACE WITH A MAX. 16" O.C.
6. MASTIC OR 'D' RING WILL BE ACCEPTABLE
7. INLET AND OUTLET PIPES MUST BE AT PROPER ELEVATION WITH OPENING CAST IN MANHOLE BY MANUFACTURER
8. DISTANCE FROM BOTTOM OF TROUGH TO SHELF EDGE TO BE 70% DIAMETER OF OUTLET PIPE
9. 10% SLOPE ON SHELF - ALL DIRECTION
10. MIN. 15" WIDTH OF SHELF (BENCH)
11. ADJUST ELEVATION OF FRAME AS REQUIRED USING CONCRETE GRADE RINGS
12. ALL CONNECTIONS SHALL BE WITH FACTORY INSTALLED BOOTS
13. IF FLOWABLE FILL AND DIP IS USED, ALL PIPES AND FITTINGS MUST BE POLY-WRAPPED

TO USE PVC ON OUTSIDE DROP INSTALLATION:

1. CONSTRUCT THE OUTSIDE WALL AS SHOWN. ALLOW 3 DAYS TO DRY COMPLETELY.
2. INSTALL PVC PIPES AND FITTINGS AND POUR FLOWABLE FILL. ALLOW 3 DAYS TO DRY COMPLETELY.
3. COMPACT GRAVITY SEWER BEDDING IN ACCORDANCE WITH GRAVITY LINE TRENCH DETAIL.
4. CONTACT BCWS FOR INSPECTION AND APPROVAL AFTER EACH STEP AND PRIOR TO LAYING PIPES OUTWARDS FROM THE DROP INSTALLATION.



DROP MANHOLE

(TO BE USED FOR DROPS OVER 18")
NOT TO SCALE

SEWER PANEL 2B