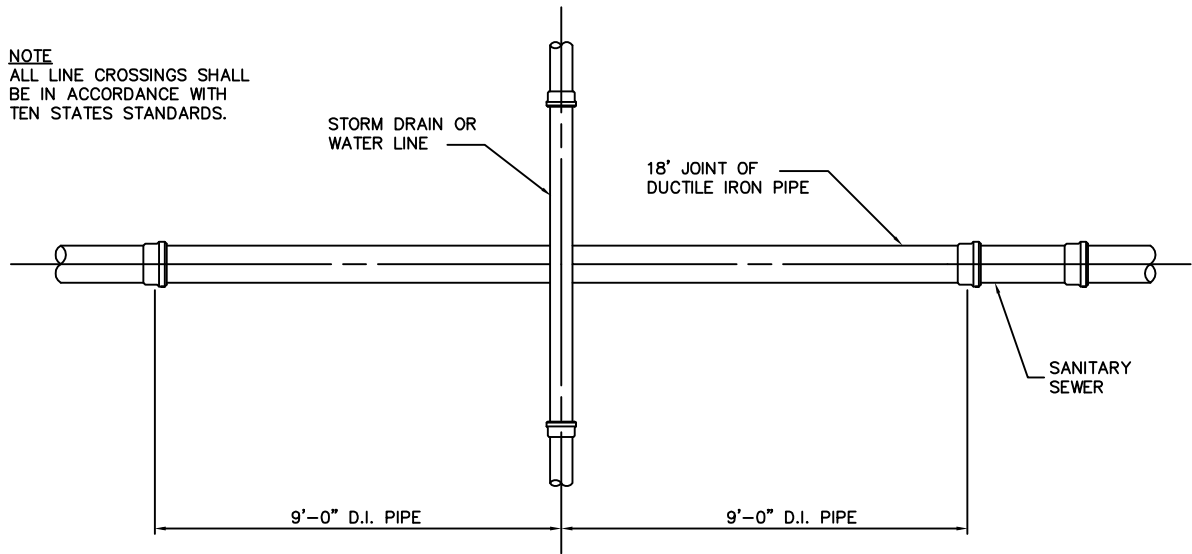
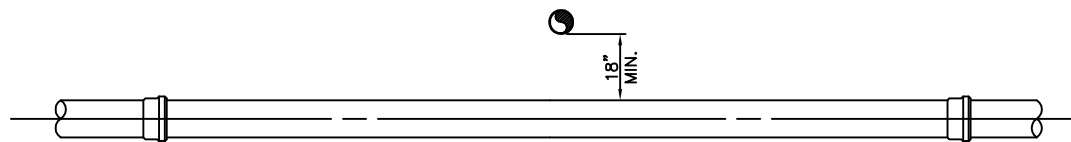


NOTE
ALL LINE CROSSINGS SHALL
BE IN ACCORDANCE WITH
TEN STATES STANDARDS.



PLAN



SECTION

*DETAIL OF SANITARY SEWER AND STORM
DRAIN OR WATER LINE CROSSING*

NOT TO SCALE

COMMON PANEL 4

**BERKELEY COUNTY WATER AND SANITATION
POTABLE WATER & SANITARY SEWER STANDARDS**

REVISED 08/01/08